

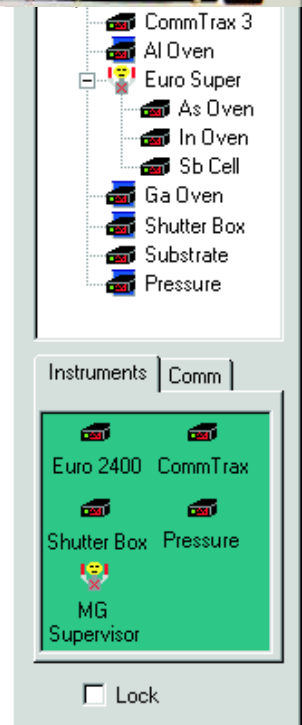
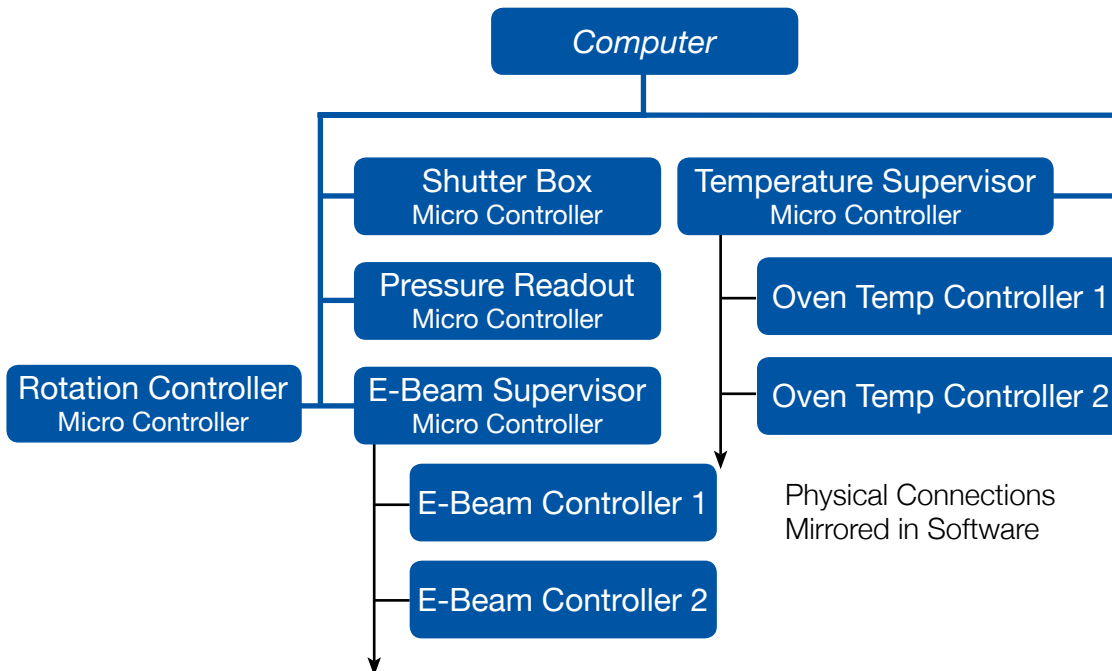
RoboMBE™

MBE Automation Software



Features

- Data Logging
- Generic Feedback Loops
- Object Oriented Design
- User Extendability
- Windows 2000/XP
- Computer Displays Mimics and Enhances Physical Displays



Physical Connections Mirrored in Software

