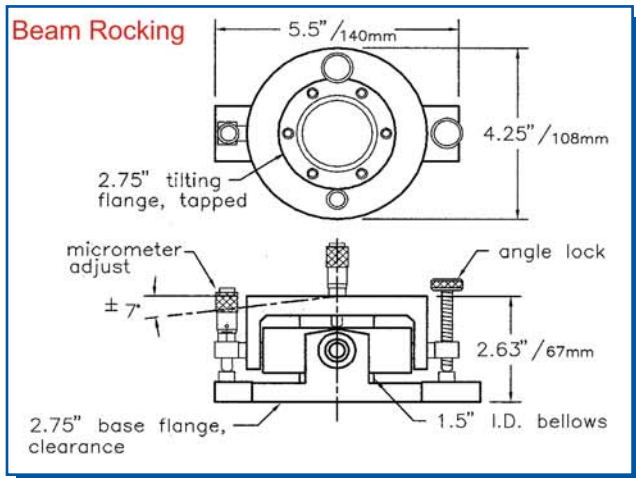
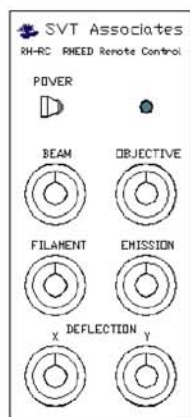


RHEED Optional Components



Description

RHEED screens are available in 6" or 8" CF flanges. The phosphor screens are designed to show high spatial resolution by using very fine grain powder, ensuring sharp and high brilliance diffraction patterns. The special design of the screen frame provides mounting a RHEED screen on an UHV viewport without any modifications. The RHEED screen holder is designed for easy and fast exchange of RHEED screen plates. A complete RHEED screen includes a phosphor screen with mounting hardware which fits inside a 6" or 8" view-port. Custom screens with leaded screen layers are available on request.



Remote Control

Features

Beam Rocking (RH-BR) allows precise angle alignment and variation of the incidence angle without moving the substrate. This advanced feature is most useful for analysis performed on a fixed sample. The incidence angle can be controlled manually up to $\pm 5^\circ$.

Beam Blanking (RH-BB) option controls the electron beam On and Off mode operation. The beam can be electronically switched on and off.

Differential Pumping (RH-DP) optional component designed for RHEED operation at higher pressures (10^{-4} torr range). A single differential pumping module is integrated with the RHEED electron source. Efficient pumping of the cathode section ensures long lifetime of the cathode.

Remote Control Pad (RH-RC) is designed to remote control the RHEED operation.

Models	Description
RH-RC	Remote Control Pad
RH-BB	Beam Blanking
RH-BR	Beam Rocking
RH-DP	Differential Pumping
RH-RS-6	6" RHEED Screen with Mounting Hardware
RH-RS-8	8" RHEED Screen with Mounting Hardware
RH-VPS-6	RHEED Screen Mounts in 6" Viewport
RH-VPS-8	RHEED Screen Mounts in 8" Viewport



Phosphor Screens 6" or 8" Aluminum Frames
(Also Available in Stainless Steel Frames)

